



HANNAH COMFORT SLEEPER



- Made in the USA
- Available upholstered and in leather
- Wide selection of fabrics and leathers
- Choice of Walnut, Espresso or Acorn finished leg
- Available with Gel mattress or Tempurpedic mattress at an upcharge
- Also available in sectional and stationary options
- Delivery +/- 8 weeks

** Photo: Hannah Queen Comfort Sleeper
No further discounts applicable and delivery time may be subject to change*

PRODUCT No.	ITEM	WIDTH	DEPTH	HEIGHT	LEATHER				FABRIC			
					GR D/COL	GR F	GR G	GR H	GR I (1)/COM	GR II (2)/CRYPTON	GR III (3)	GR V (5)
112-HNH-SO3-KS	HANNAH KING SLEEPER - 3 SEAT	86	39	37	8265	8265	8580	8910	5340	5820	6285	6765
112-HNH-SO2-QP	HANNAH QUEEN PLUS SLEEPER - 2 SEAT	76	39	37	7935	7935	8265	8580	5055	5535	6000	6480
112-HNH-SO3-QP	HANNAH QUEEN PLUS SLEEPER - 3 SEAT											
112-HNH-SO2-QS	HANNAH QUEEN SLEEPER - 2 SEAT	70	39	37	7245	7245	7575	7890	4515	4995	5460	5940
112-HNH-SM2-FS	HANNAH FULL SLEEPER - 2 SEAT	64	39	37	6780	6780	7110	7425	4275	4755	5235	5700
112-HNH-CH2-TS	HANNAH TWIN SLEEPER - CHAIR AND A HALF	49	39	37	6465	6465	6780	6945	3930	4410	4875	5355
112-HNH-CH2-CS	HANNAH COT SLEEPER - CHAIR AND A HALF	40	39	37	5820	5820	6150	6300	3675	4155	4620	5100
112-HNH-DBL-CS	HANNAH DOUBLE COT SLEEPER - 2 SEAT	76	39	37	9615	9615	9945	10110	5970	6450	6930	7395
112-HNH-SLA-QP	HANNAH LEFT ARM QUEEN PLUS SIZE WITH CHAISE/ STORAGE OTTOMAN	76	66	37	9855	9855	10185	10500	6150	6615	7095	7575
112-HNH-SRA-QP	HANNAH RIGHT ARM QUEEN PLUS SIZE WITH CHAISE/ STORAGE OTTOMAN	76	66	37	9855	9855	10185	10500	6150	6615	7095	7575

Standard Comfort Sleeper®

Features:

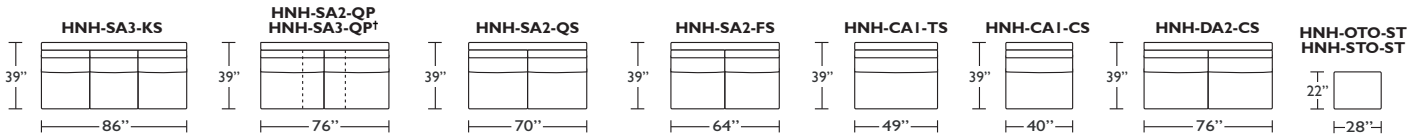
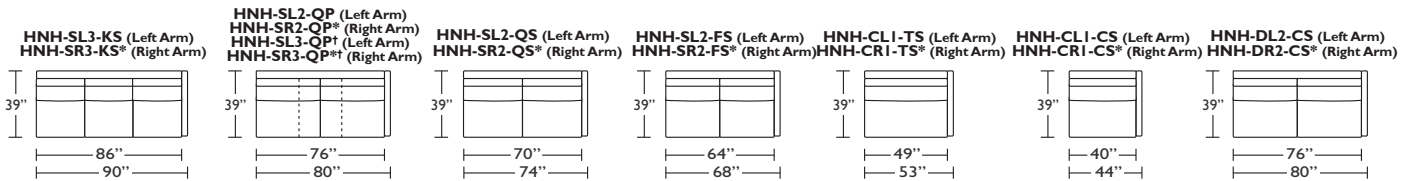
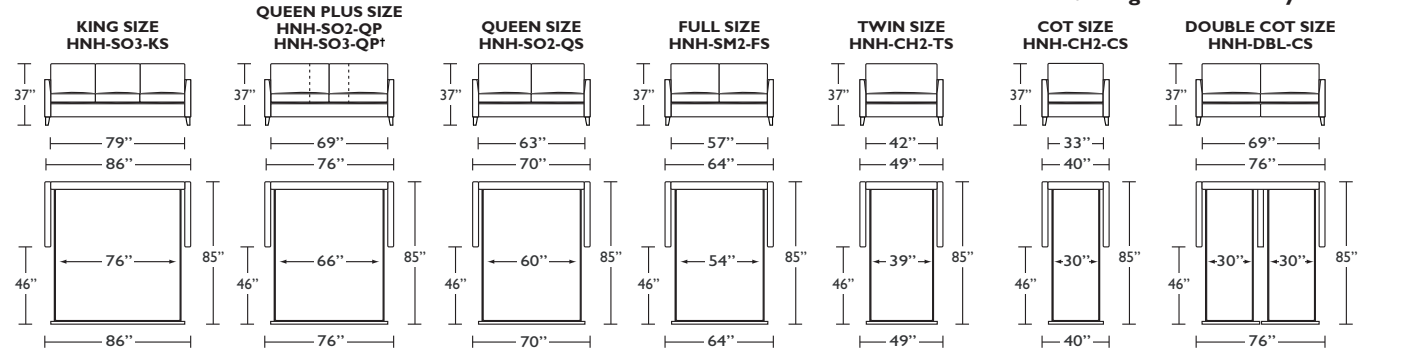
- Luxurious sleeping with no springs, no bars and no sagging
- Room to stretch out with true 80 inches of bedroom-length sleeping surface
- Ultimate comfort on four inches of plush, high-density foam
- Complete choice from over 300 leather, Ultrasuede® and fabric options
- Zero wall clearance
- Space saving engineering means getting a bigger bed in a smaller room
- Quick-ship delivery
- Lifetime warranty on frame
- Double-needle top stitching
- Loose back & seat cushions
- 10 year mechanism warranty

Leg Options:

- Wood legs available in Walnut, Espresso or Acorn finish

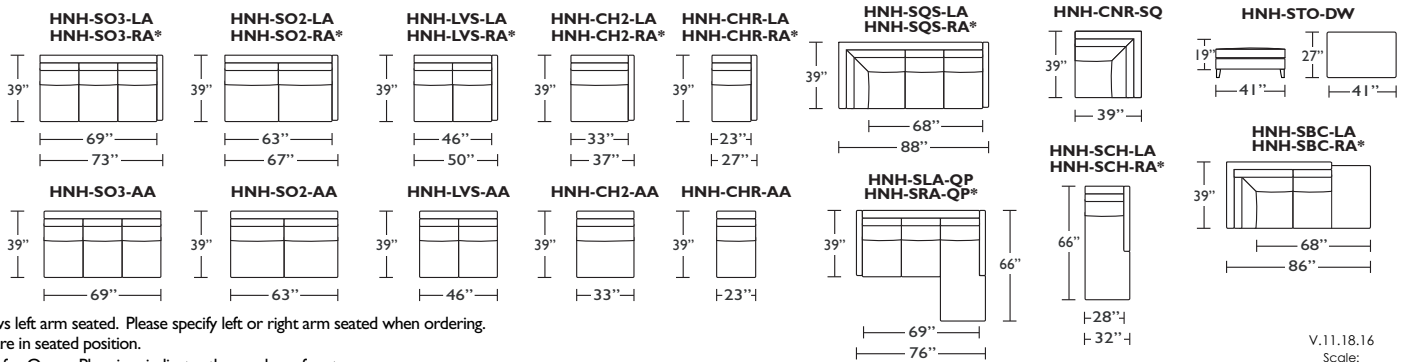
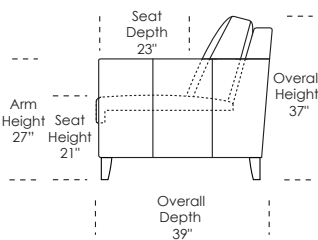
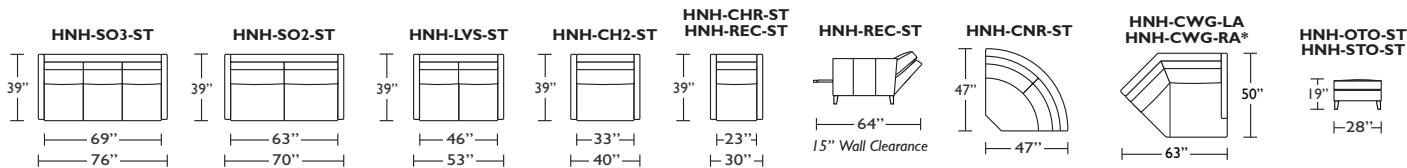
Mattress Options:

- Premier
- Gel
- Tempur-Pedic®



Please use actual leather, fabric and Ultrasuede® swatches when specifying furniture as the colors shown may vary due to the printing process.

All dimensions are approximate and subject to change.



* Picture shows left arm seated. Please specify left or right arm seated when ordering.
 † All orders are in seated position.
 ‡ Dotted lines for Queen Plus sizes indicates the number of seats.

Tiffany 24/7™ Convertible mechanism, U.S. Patents #6904628, #8893323, #9468303. Additional patents pending.

V.11.18.16
 Scale:
 1/8 inch = 1 foot