



AINSLEY SECTIONAL

- Made in the USA
- Premium high-density, high-resiliency foam
- Advanced unidirectional suspension system
- Available upholstered and in leather
- Wide selection of fabrics and leathers
- Buttonless tufted back cushions
- Tight back and loose seat cushions
- Legs available in Natural Walnut or Gray Ash
- Delivery +/- 8 weeks

** Photo: Ainsley Sectional shown in Gr. 3 EW-3-12 'European Woven Beige' fabric with Walnut Natural legs
Prices and delivery time may be subject to change*

PRODUCT No.	ITEM	WIDTH	DEPTH	HEIGHT	LEATHER				FABRIC			
					GR D/COL	GR F	GR G	GR H	GR I (1)/COM	GR II (2)/CRYPTON	GR III (3)	GR V (5)
112-AIN-SO3-LA	AINSLEY 3 SEAT FULL SIZE SOFA - LEFT ARM SITTING*	87	33	31	4870	5200	5530	5860	3780	4110	4440*	5100
112-AIN-SO3-RA	AINSLEY 3 SEAT FULL SIZE SOFA - RIGHT ARM SITTING											
112-AIN-SO3-AA	AINSLEY 3 SEAT FULL SIZE SOFA-ARMLESS	84	33	31	4620	4950	5280	5610	3615	3945	4275	4935
112-AIN-LVS-LA	AINSLEY LOVESEAT-LEFT ARM SITTING	59	33	31	4195	4525	4855	5185	3120	3450	3780	4440
112-AIN-LVS-RA	AINSLEY LOVESEAT-RIGHT ARM SITTING											
112-AIN-LVS-AA	AINSLEY LOVESEAT SOFA-ARMLESS	56	33	31	3945	4275	4605	4935	2955	3285	3615	4275
112-AIN-CNR-SQ	AINSLEY 90 DEGREE SQUARE CORNER UNIT	33	33	31	4245	4410	4575	4740	2905	3070	3235	3565
112-AIN-SCH-LA	AINSLEY SMALL CHAISE - LEFT ARM SITTING	31	60	31	3615	3780	3945	4110	2625	2790	2955*	3285
112-AIN-SCH-RA	AINSLEY SMALL CHAISE - RIGHT ARM SITTING*											
112-AIN-SQS-LA	AINSLEY SQUARE CORNER RETURN SOFA - LEFT ARM SITTING	91	33	31	5895	6225	6555	6885	4540	4870	5200	5860
112-AIN-SQS-RA	AINSLEY SQUARE CORNER RETURN SOFA - RIGHT ARM SITTING											

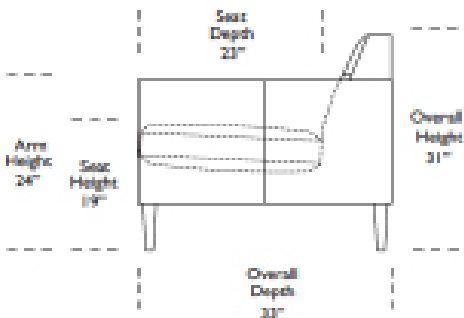
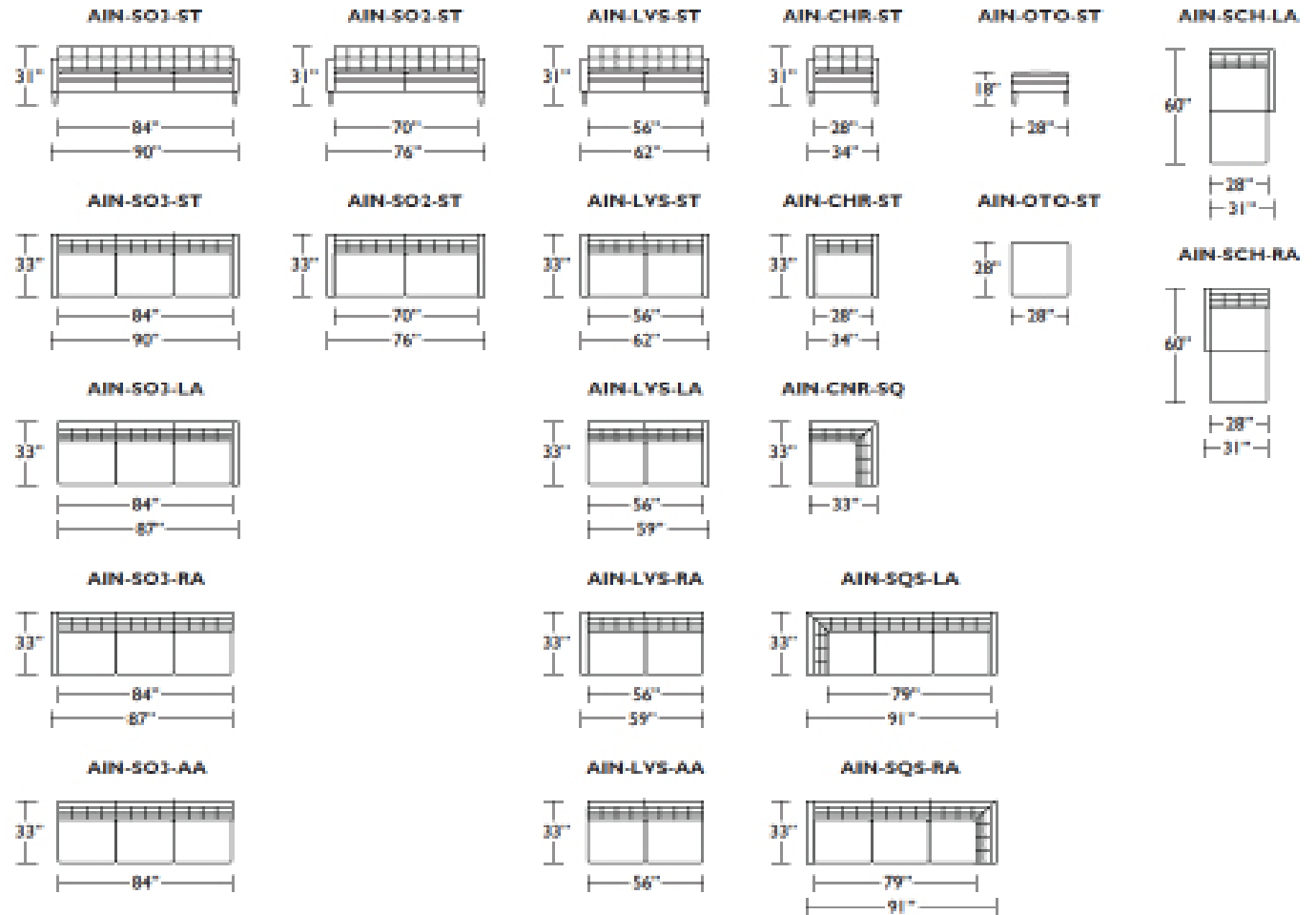
Standard Features:

- Advanced unidirectional suspension system
- Premium high-density, high-resiliency foam seat cushions
- Buttonless tufted back cushions
- Tight back and loose seat cushions
- Single-needle top-stitching
- Lifetime warranty on frame & suspension
- Quick ship delivery

Options:

- Wood legs available in Natural Walnut or Gray Ash

Please use actual leather, fabric and Ultrasuede® swatches when specifying furniture as the colors shown may vary due to the printing process.



Note: Dotted line indicates seam on leather and up the roll fabrics. Seams are eliminated with railroaded fabrics.